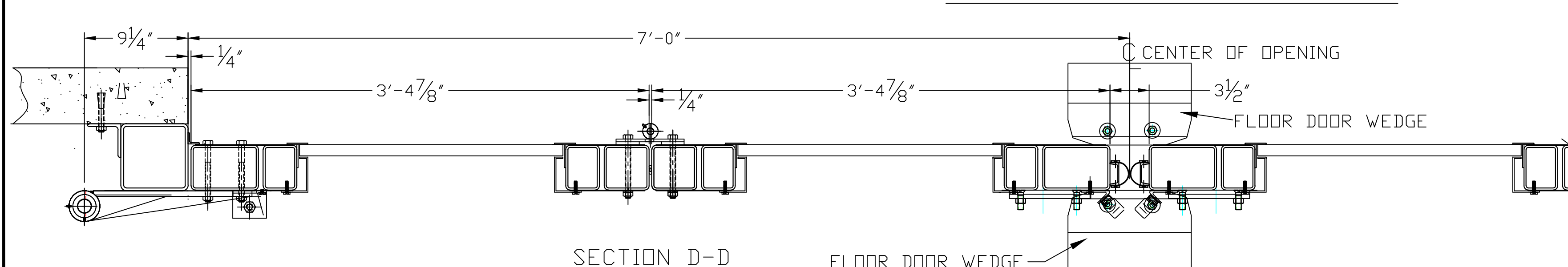
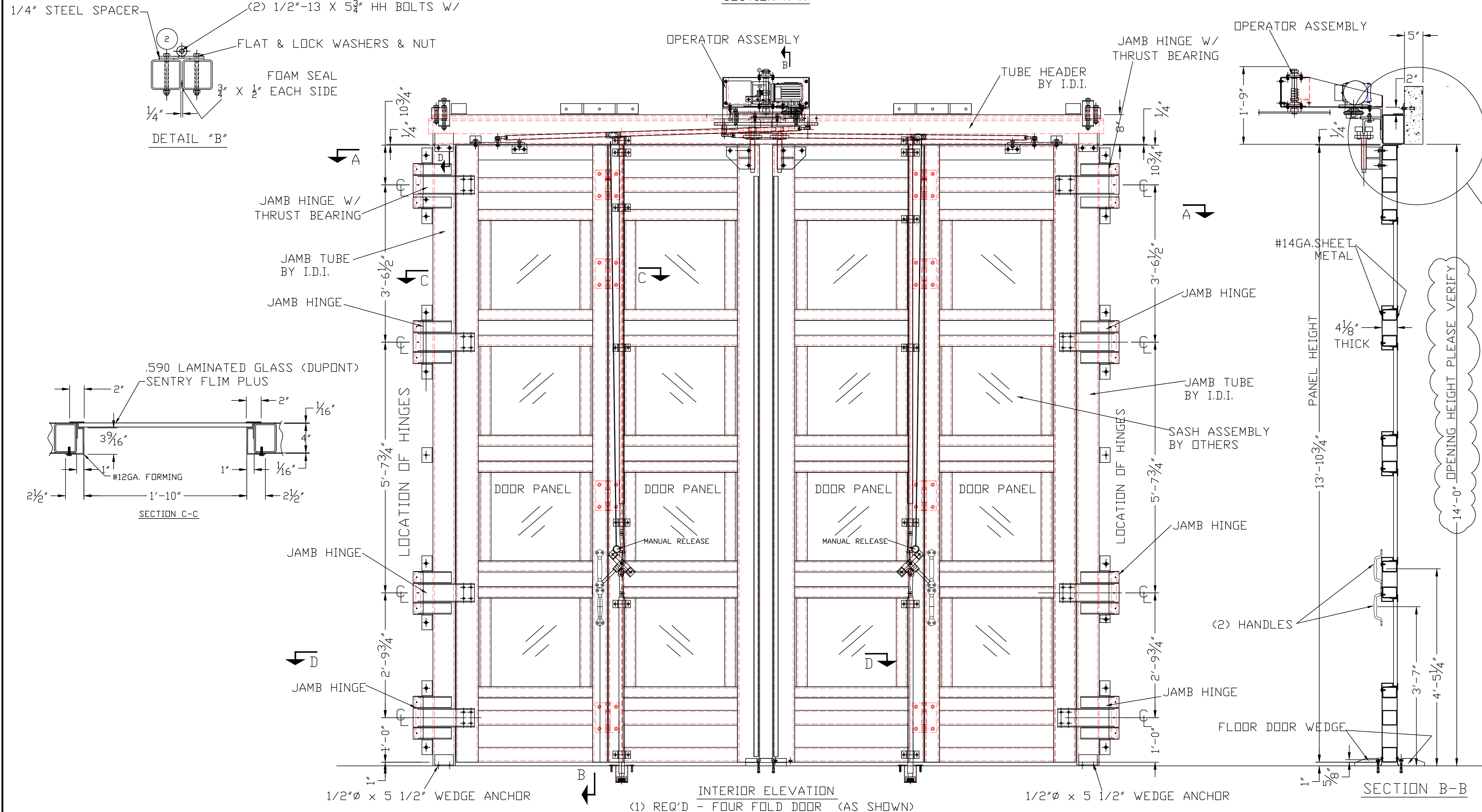
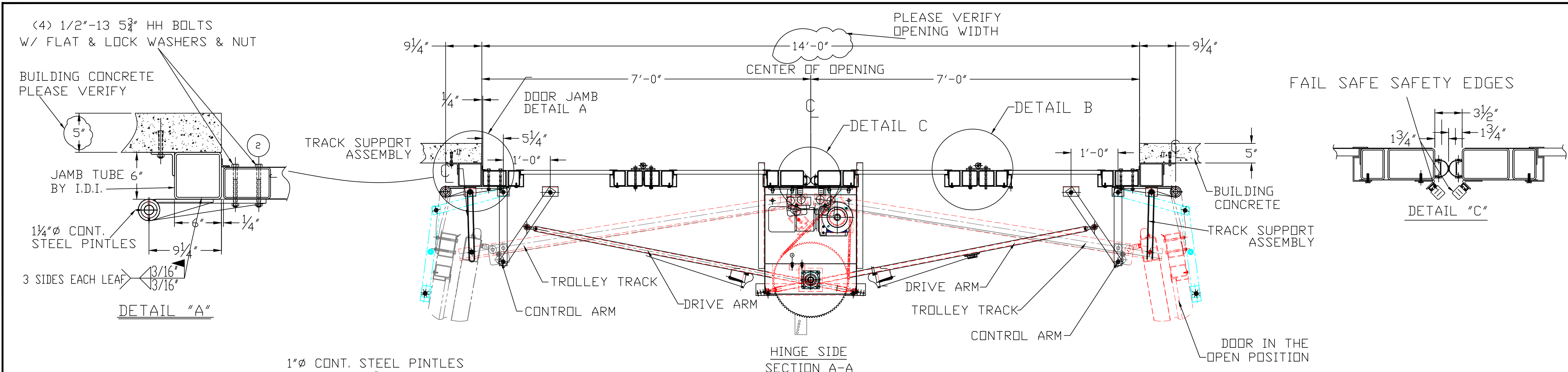
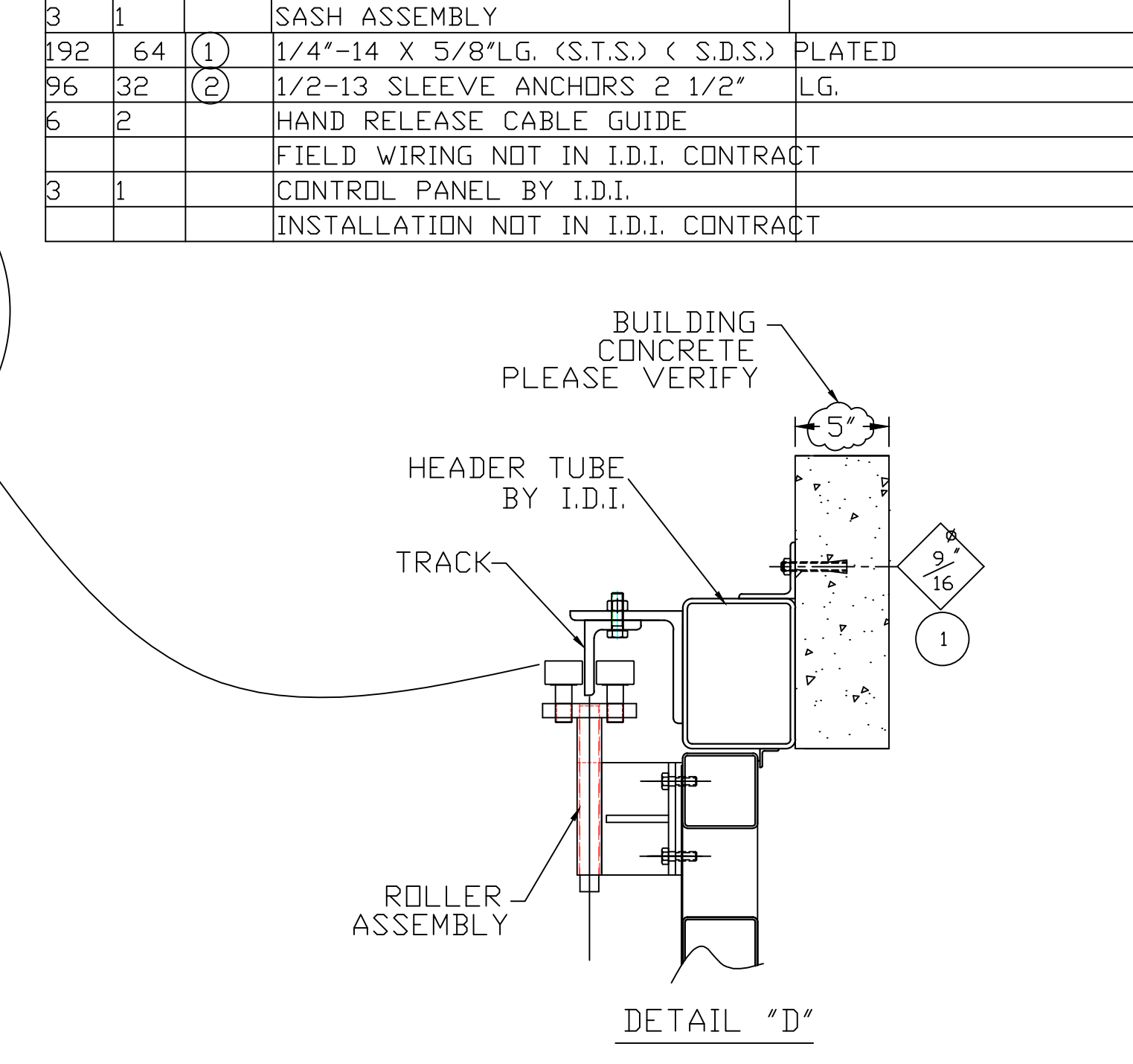


BILL OF MATERIAL				
ITEM	QTY.	UNIT	MARK	DESCRIPTION
				JOB# 15-ID-2212 SHEET# A1
3/3	1/1			PANELS W/ HINGES-
3/3	1/1			PANELS W/HINGES -
3/3	1/1			TRACK SUPPORT ASSEMBLY
3/3	1/1			OPERATOR SUPPORTS
3	1			OPERATOR ASSEMBLY
3/3	1/1			ROLLER ASSEMBLY
3/3	1/1			CONTROL ARM ASSEMBLY
3	1			TRACK SUPPORT ASSEMBLY
3/3	1/1			TRACK
3	1			DRIVE ARM ASSEMBLY
3	1			DRIVE ARM ASSEMBLY
3/3	1/1			JAMB-HINGE ASS'Y W/THRUST BEARING
12	4			JAMB-HINGE ASS'Y
3/3	1/1			MID-HINGE ASS'Y
12	4			MID-HINGE ASS'Y
3/3	1/1			DOOR JAMB
3	1			DOOR HEADER
6	2			1" BRUSH(ACTION)#B0768-00-W & 1"-45" RETAINER#A0082-MI-W X 14'-0"
3	1			1" BRUSH(ACTION)#B0768-00-W & 1"-45" RETAINER#A0082-MI-W X 14'-0"
6	2			C4 X 5.4 X 2'-3"
3	1			1"THK INSUL. (1/4"X1/2"X1/4")LAMINATED GLASS 25 1/2" X 25 1/2"
3	1			SASH ASSEMBLY
192	64	(1)		1/4"-14 X 5/8"LG. (S.T.S.) (S.D.S.) PLATED
96	32	(2)		1/2"-13 SLEEVE ANCHORS 2 1/2" LG.
6	2			HAND RELEASE CABLE GUIDE
3	1			FIELD WIRING NOT IN I.D.I. CONTRACT
				CONTROL PANEL BY I.D.I.
				INSTALLATION NOT IN I.D.I. CONTRACT



NOTE 1: When mounting to a opening with concrete jamba & header, attach clip angles to opening with wedge anchors (see sheet, detail A).

NOTE: This door has not been tested for air infiltration (FBC, Energy Conservation Section C402.4.3)



NOTE: This door has been designed for +/- 65psf & large missile impact resistance

03/03/16	EZ	FOR APPROVAL
REV	DATE	BY
DESCRIPTION		
INTERNATIONAL DOOR, INC.		
(734) 459-3000		
8001 Ronda Dr. Canton, Michigan 48187		
PROJECT:		
TAMARAC FIRE STATION NO. 78		
DRAWING TITLE:		
GENERAL ARRANGEMENT FOR FOUR FOLD DOORS		
DOOR# 201, 202, 203	OPENING SIZE	14'-0" x 14'-0"
ARCH. WEST ARCHITECTURE + DESIGN, LLC		
CONTR. DOOR SYSTEM OF SOUTH FLORIDA		
DRAWN: EZ	DATE	01/22/15
CHECKED: DS	CUSTOMER NO.	DRAWING NO. 15-ID-2212
APPROVED: DS		SHEET: A1