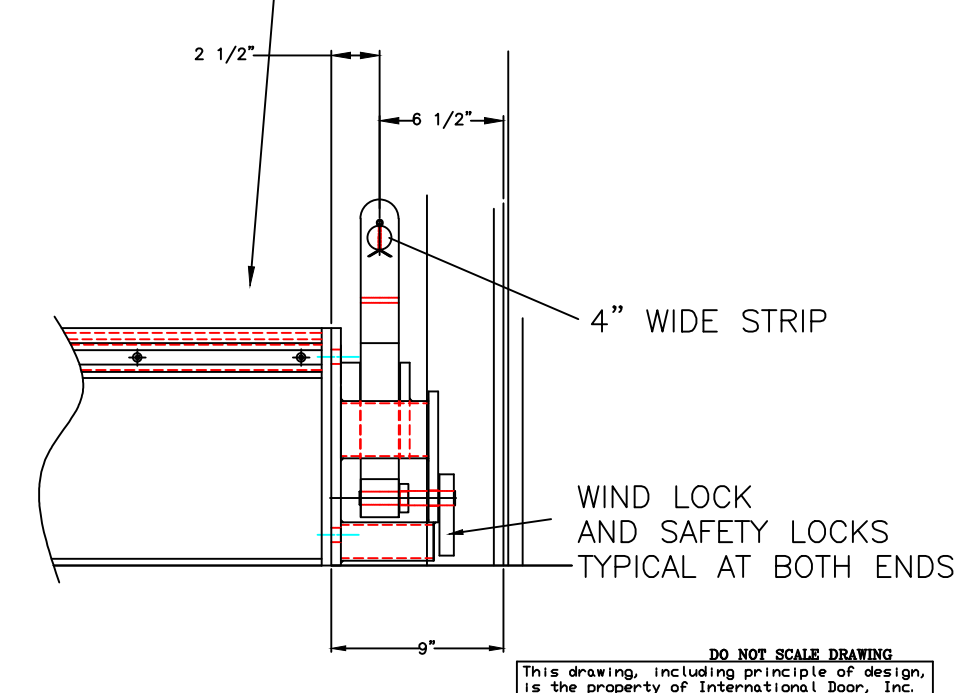
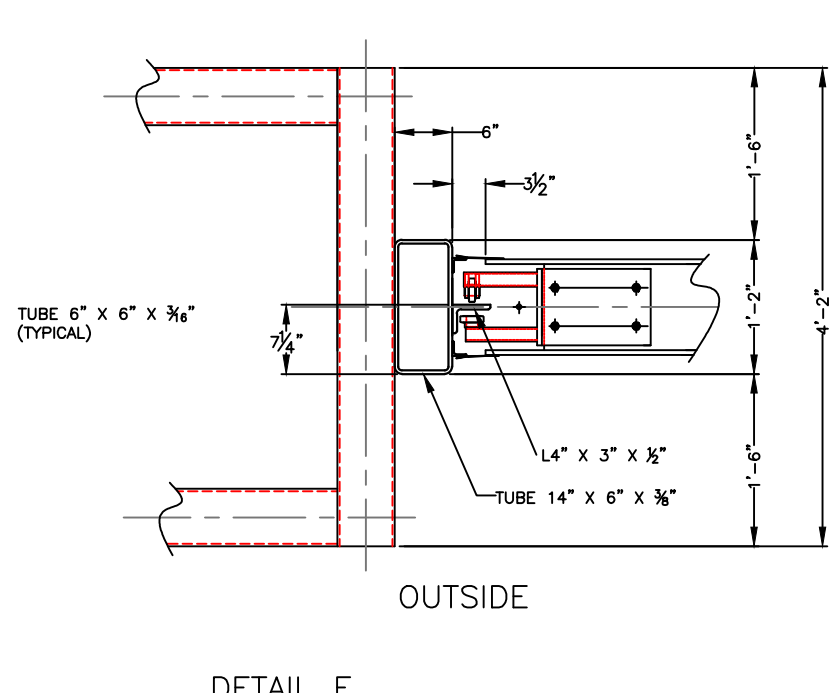
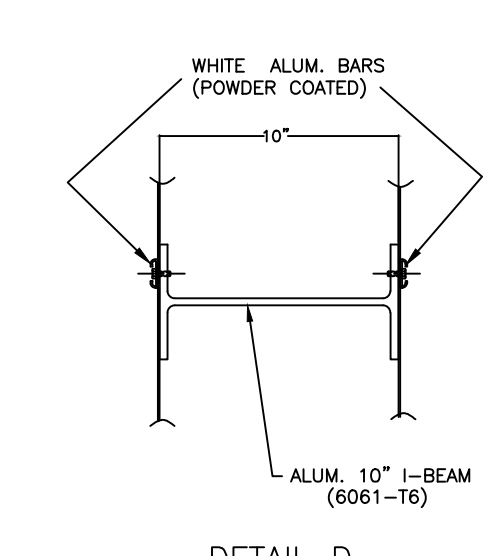
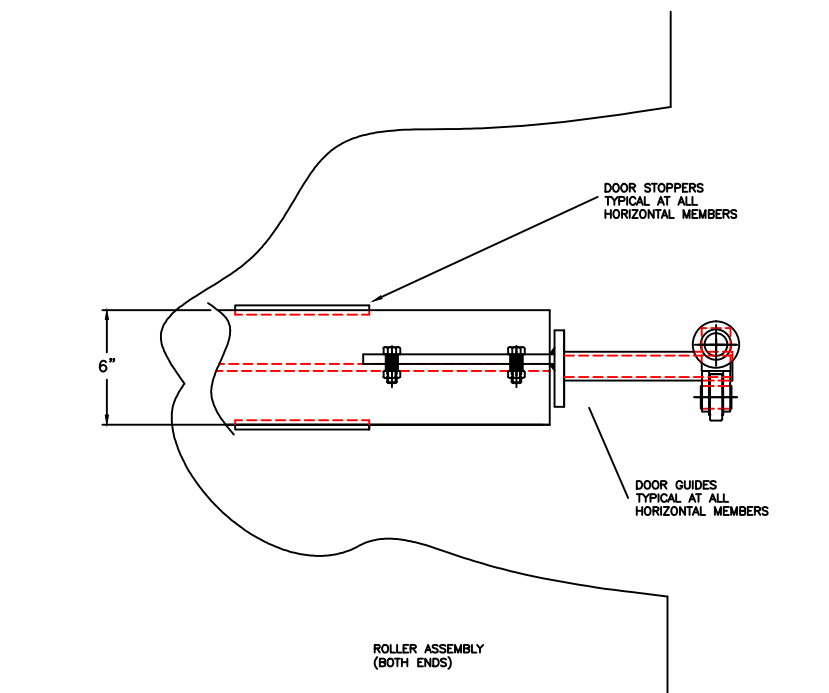
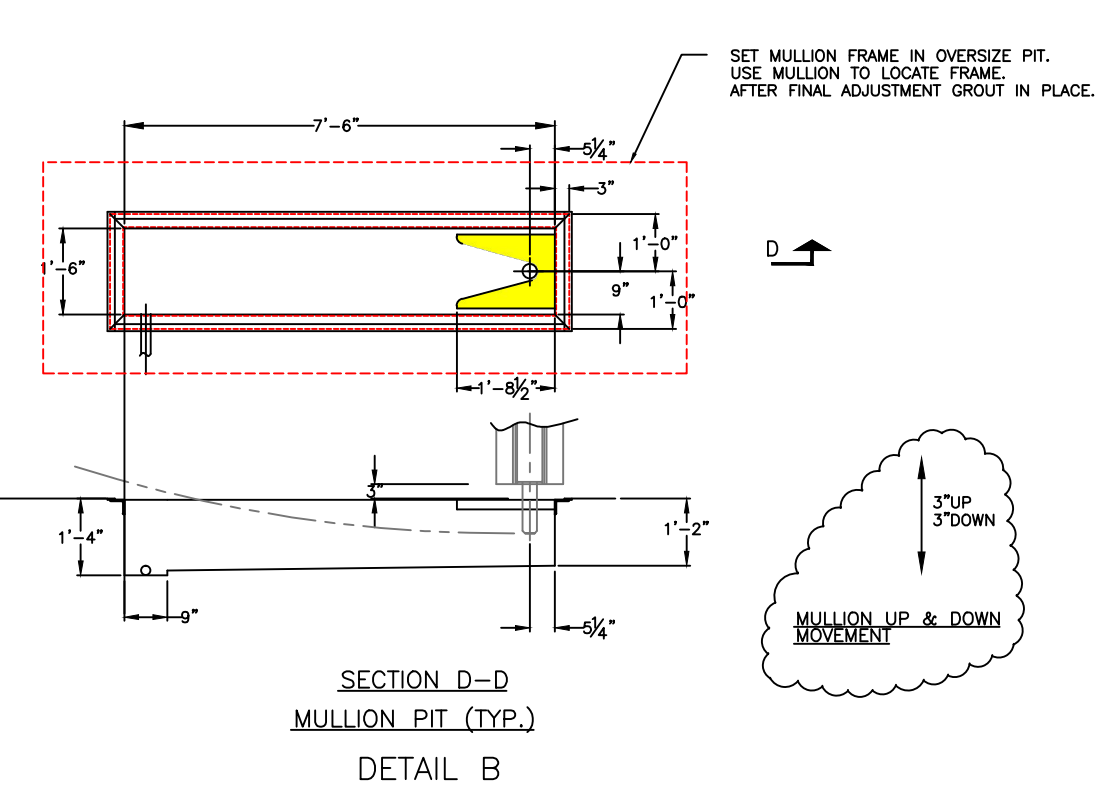
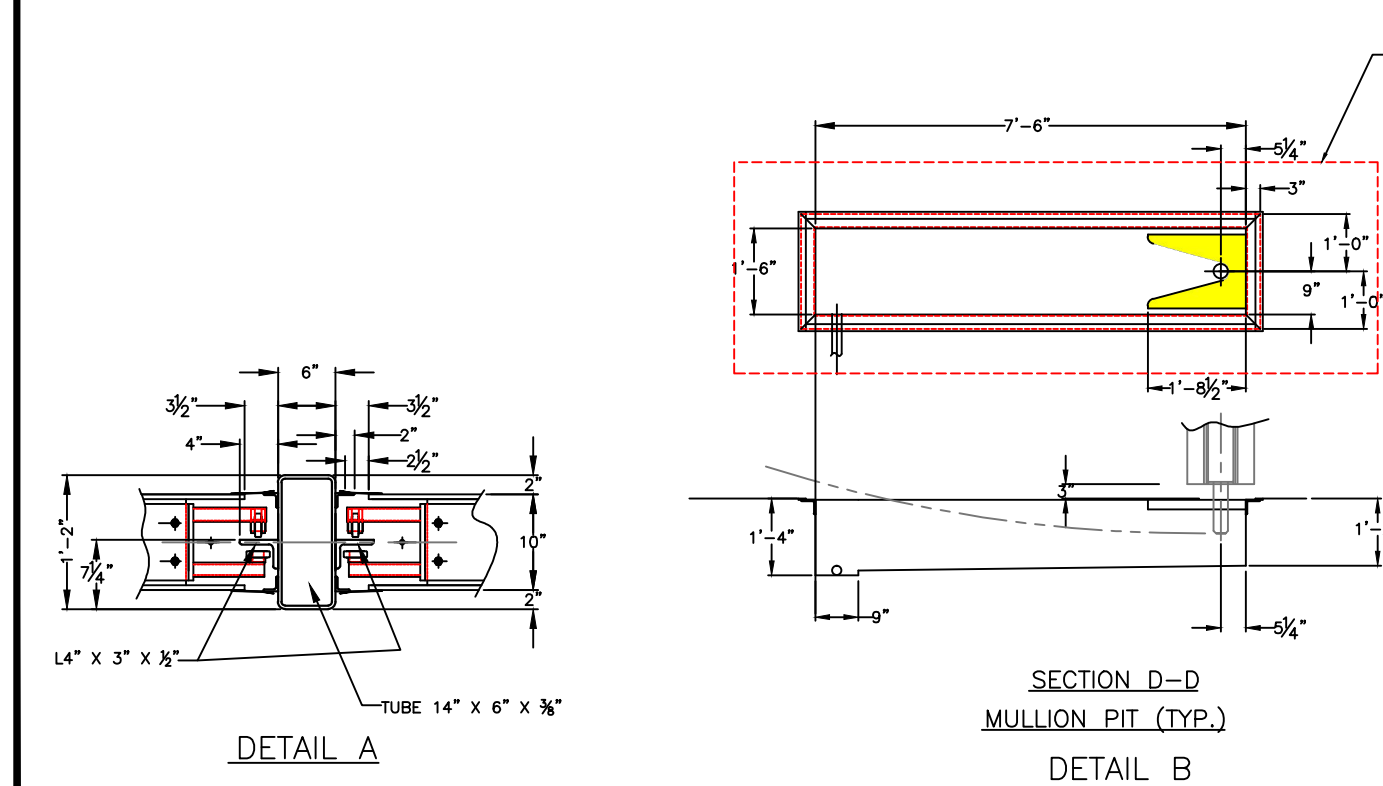
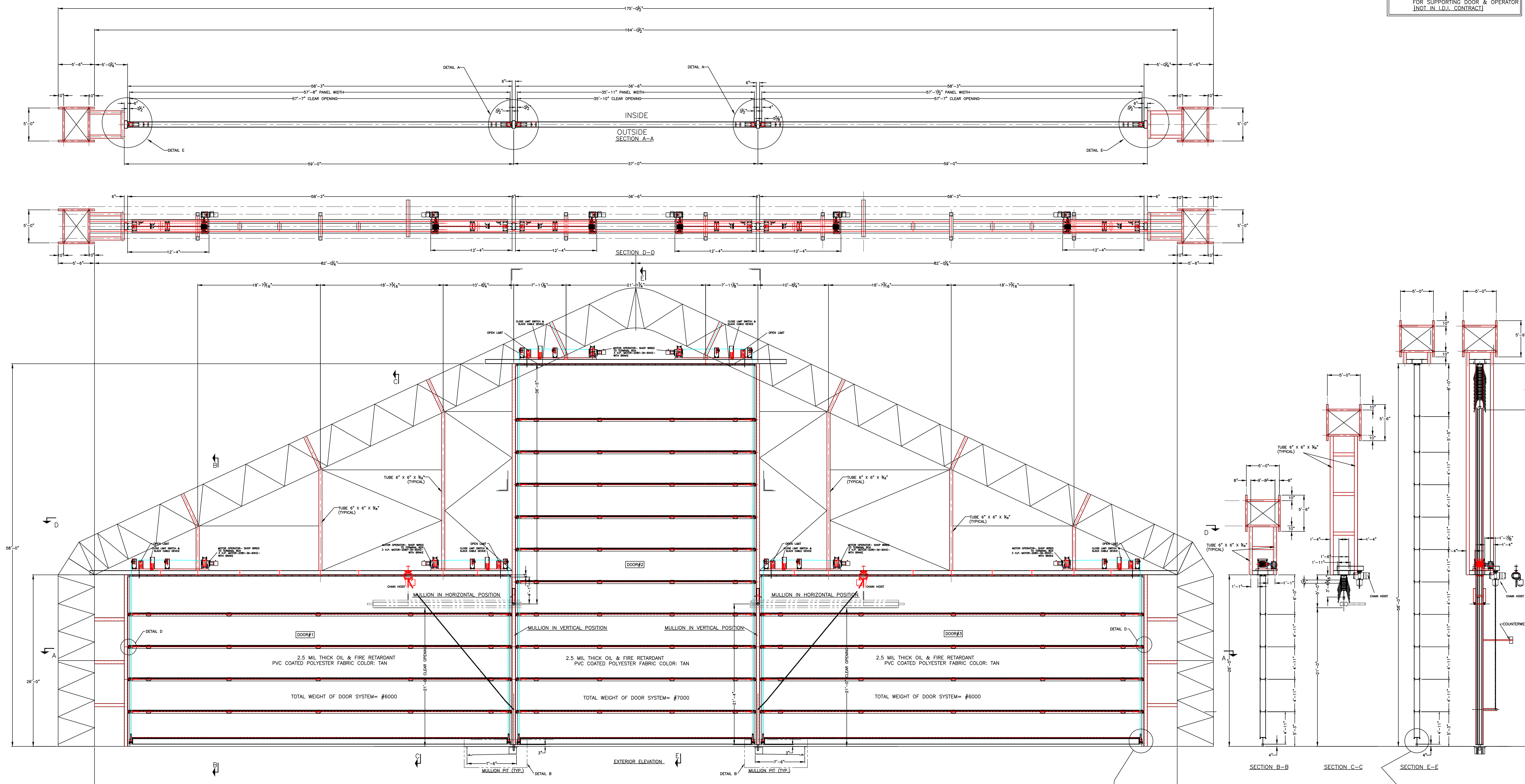


NOTE: ALL JAMB & STRUCTURAL STEEL FOR SUPPORTING DOOR & OPERATOR (NOT IN I.D.I. CONTRACT)



DO NOT SCALE DRAWING
 This drawing, including principle of design, is the property of International Door, Inc. and shall not be reproduced in any manner, transmitted to outside parties for annotation or modification. It shall be used only as a means of reference to work designed or furnished by us, unless expressly authorized and conveyed to in writing by International Door, Incorporated, Canton, Michigan.

3/1/12	DA	TO FIELD
1/23/12	RB	TO SHOP
11/16/11	DS	FOR APPROVAL - E MAILED
REV	DATE	BY DESCRIPTION
INTERNATIONAL DOOR, INC. 8001 Ronda Dr. Canton, Michigan 48187 (734) 459-3000		
PROJECT: EXPEDITIONARY AIRCRAFT MAINTENANCE HANGAR - USAF QATAR MIDDLE EAST		
DRAWING TITLE: HOIST-UP FABRIC DOOR "PARthenon" DOOR (3) DOORS-DOOR#1, 2 & 3		
ARCH: CONTR. US COVER LLC		
DRAWN: RB	DATE: 11/11/11	JOB NO. 11-ID-2077
CHECKED: DS	CUSTOMER NO.	SHEET A1 OF
APPROVED: DS		