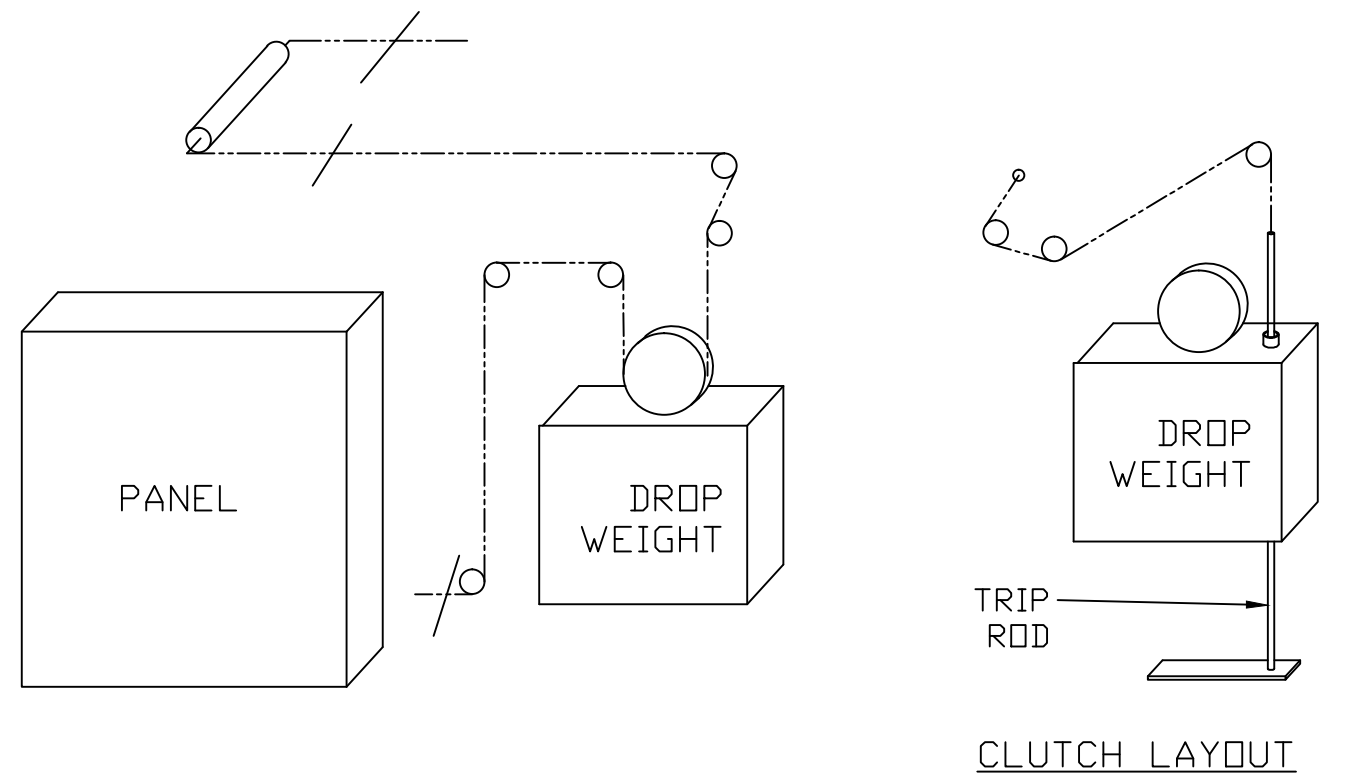
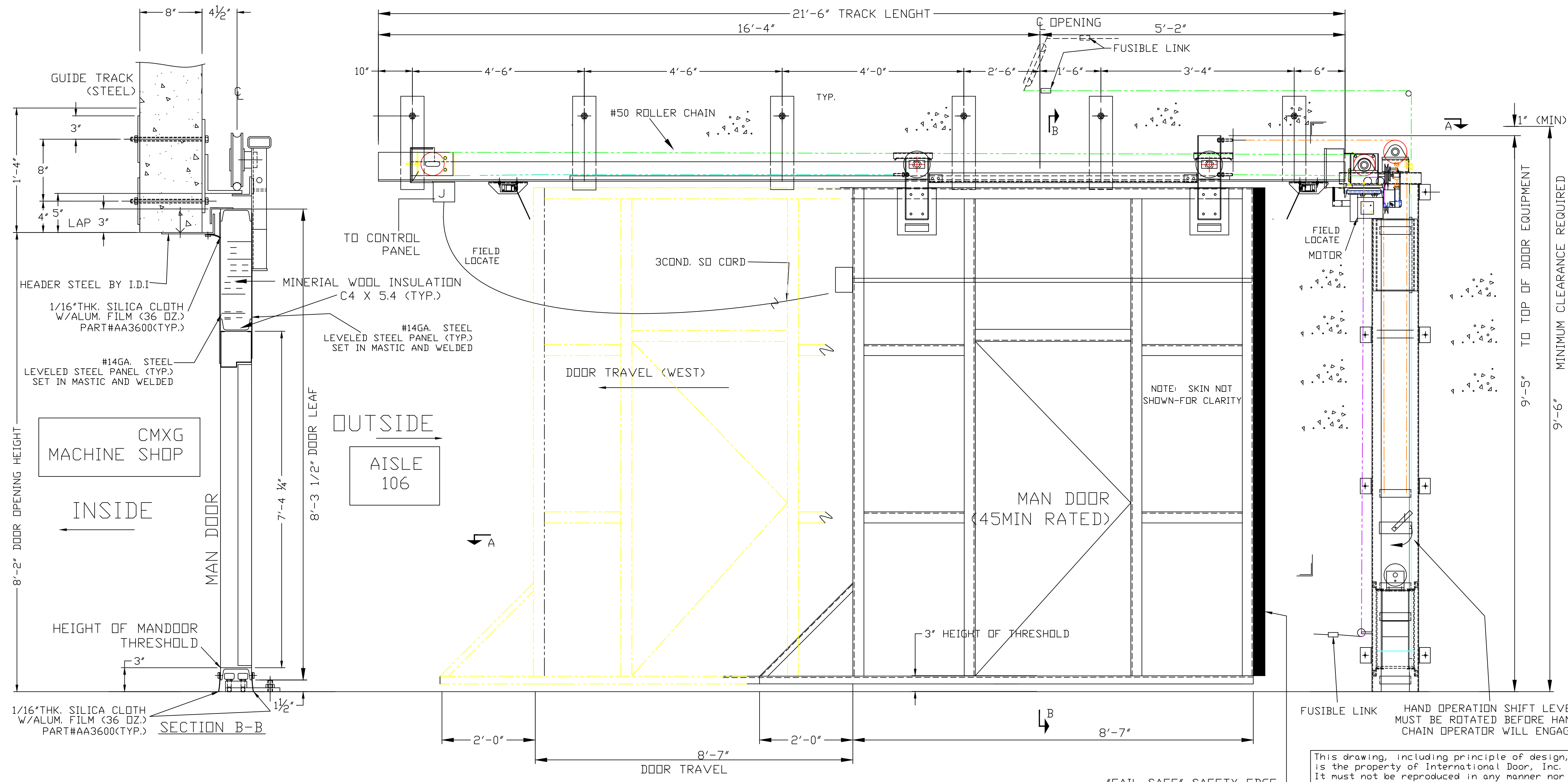


- NOTE: IF ANY FUSIBLE LINK BREAKS FOR ANY REASON, OPERATOR DIS-ENGAGES AND DOOR AUTOMATICALLY CLOSES, GOVERNOR CONTROLS SPEED OF CLOSING



|                          |      |    |                     |
|--------------------------|------|----|---------------------|
|                          |      |    | TO FIELD            |
|                          |      |    | TO SHOP             |
| 1/23/08                  | RB   |    | SENT FOR APPROVAL - |
| REV                      | DATE | BY | DESCRIPTION         |
| INTERNATIONAL DOOR, INC. |      |    |                     |
| (734) 459-3000           |      |    |                     |

**PROJECT:** TINKER AIR FORCE BASE BUILDING 2121 TULSA, OK.

**FIRE RATED DOOR**

**DRAWING TITLE:** GENERAL ARRANGEMENT FOR HORIZONTAL SLIDE DOOR - DOUBLE SKIN - INSULATED WITH ELECTRIC OPERATOR

**DOOR NUMBER:** \_\_\_\_\_ **OPENING SIZE:** 8'-0" X 8'-2"

|                     |                     |                 |  |
|---------------------|---------------------|-----------------|--|
| <b>ARCH.</b>        |                     |                 |  |
| <b>CONTR.</b>       |                     |                 |  |
| <b>DRAWN:</b> RB    | <b>DATE</b>         | <b>JOB NO.</b>  |  |
| <b>CHECKED:</b> DS  | <b>CUSTOMER NO.</b> | <b>SHEET OF</b> |  |
| <b>APPROVED:</b> DS |                     |                 |  |

This drawing, including principle of design, is the property of International Door, Inc. It must not be reproduced in any manner nor submitted to outside parties for examination without our consent. It shall be used only as a means of reference to work designed or furnished by us, unless expressly authorized and consented to in writing by International Door, Incorporated, Canton, Michigan.

DO NOT SCALE DRAWING

**EXTERIOR ELEVATION**  
HORIZONTAL SLIDE DOOR WITH MANDOOR  
(1) REQ'D AS (SHOWN) DOOR #118<sup>L</sup>